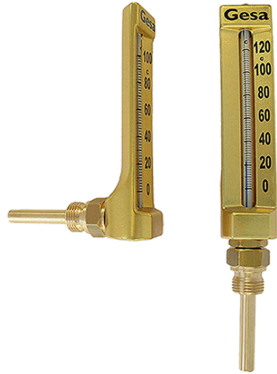


V-shaped thermometer

Liquid expansion thermometers for temperatures from -60°C to 600°C. These instruments are very tough, easy to install and reliable. They resist extreme working conditions: vibrations, humidity, outdoors conditions, aggressive media like sea water or ammonia. Useful to control fluid temperature in pipes or tanks from ship engines, refrigeration systems, boilers, HVAC systems, etc.



STANDARD PARAMETERS

Design: DIN 16181/16182/16185/16186/16189/16190/16195
Structure: The glass insert is secured by an aluminum case where the temperature range is printed. The metallic stem is fixed into the system by male or female thread or Bolt.
Case dimension (H): 110, 150 or 200mm
Mounting: See attached diagrams A, B or C
Connection system: Male or female thread or bolt
Threads: Standard BSP, metrics or NPT
Stem length (L), including thread: 25-500mm
Stem diameter (∅): 10mm (optional 8mm)
Range: Aluminium case: -60...0...600°C / Polyamide case: -60...0...200°C
Scale: °C printed on the right side of the case or double scale °C/°F

MATERIALS

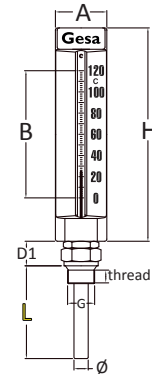
Case: Anodized aluminium gold or silver coloured / polyamide
Insert: Prismatic glass with white strip for T<450°C and Round glass with yellow back for T>450°C
Thread and Stem: Brass, Steel, Stainless steel AISI 304, AISI 316 or 316L
Thermometric liquid: Blue or red alcohol for T<200°C / Mercury for T>200°C

Mounting	DIMENSIONS(mm)							WEIGHT (g)	DIN
	H	A	B	C	D1	D2	∅		
Straight	110	36	60	17	20	-	10	230	DIN 16181
	150	36	90	17.5	20	-	10	285	DIN 16185
	200	36	130	17.5	20	-	10	320	DIN 16189
Angle 90°	110	36	60	17	-	48	10	230	DIN 16182
	150	36	90	17	-	48	10	275	DIN 16186
	200	36	130	17	-	48	10	310	DIN 16190
Angle 135°	110	36	60	17	20	-	10	230	-
	150	36	90	17.5	20	-	10	275	-
	200	36	130	17.5	20	-	10	310	DIN 16191

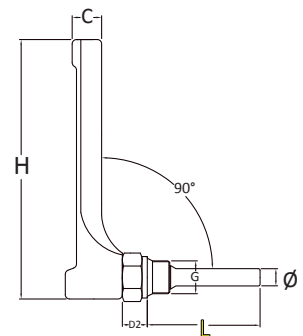
Application:

- Heating
- Boilers
- Naval Sector

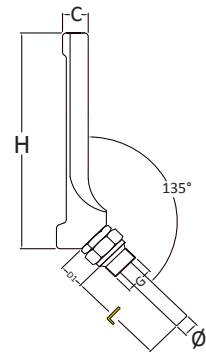
A Straight



B Angle 90°



C Angle 135°



How to order

1. Case size in mm (H) 110 150 200	2. Case material Aluminium Polyamide
3. Case Color Gold Silver	4. Mounting A B C
5. Temperature Range (°C) -10+50 0+120 0+400 -30+50 0+160 0+500 0+60 0+200 0+600 0+100 0+300	6. Temperature scale Single °C Double °C / °F

Temperature range according to DIN 16195

Tmp. in °C	H	Subdivision °C/line	Maximum error	Liquid
-60+40	110	2	2	Alcohol
	150	1		
	200	1		
-30+50	110	2	2	Alcohol or Mercury
	150	1		
	200	1		
0+60	110	2	2	Alcohol or Mercury
	150	1		
	200	1		
0+100	110	2	2	Alcohol or Mercury
	150	1		
	200	1		
0+120	110	2	2	Alcohol or Mercury
	150	1		
	200	1		
0+160	110	2	2	Alcohol or Mercury
	150	1		
	200	1		
0+200	110	2	2	Alcohol or Mercury
	150	1		
	200	1		
0+300	150	5	5	Mercury
	200	5		
	200	10		
0+400	150	5	5	Mercury
	200	10		
0+500	150	5	5	Mercury
	200	10		
0+600	150	5	5	Mercury

7. Thermometric liquid Blue alcohol Red alcohol Mercury	8. Stem length in mm (L), including thread 25 40 55 70 85 110 135 200 270 400 30 45 60 75 90 120 140 220 300 450 35 50 63 80 100 130 160 250 350 500	9. Stem diameter in mm (∅) ∅10 ∅8	10. Stem material Brass Chromed carbon steel Galvanized carbon steel Stainless st. AISI 304 Stainless st. AISI 316
11. Threads 1/2" BSP male 1/2" BSPT male 1/2" NPT male 1/2" BSP male	12. Logo GESA Without Logo	13. Calibration certificate traceable to ENAC 3 points 4 points 5 points	6 points 7 points Without certificate

C0101 -

1	2	3	4	5	6	7	8	9	10	11	12	13
---	---	---	---	---	---	---	---	---	----	----	----	----

www.termometros.com

Order it online!

+34 94 676 63 64

info@termometros.com



C1